



Instruction Manual

Fully Submersible Aquarium Heater

Models: AP50W-H (50W), AP100W-H (100W), AP150W-H (150W),
AP200W-H (200W) and AP300W-H (300W)

120 Volts, 60 Hz



The Aqueon® Submersible Aquarium Heaters are listed by Underwriters Laboratories to ensure that they meet the stringent U.S. and Canadian safety requirements.

This device complies with Part 15 of the FCC Rules. Operation is subject to the following two conditions: (1) this device may not cause harmful interference, and (2) this device must accept any interference received, including interference that may cause undesired operation.

Aqueon and It's all about the fish are registered trademarks of Central Garden & Pet Company
©2020 Central Garden & Pet Company
aqueon.com Aug2020

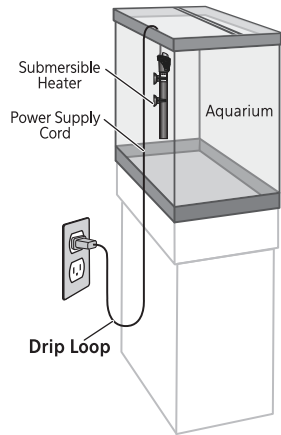
IMPORTANT SAFETY INSTRUCTIONS

WARNING – To guard against injury, basic safety precautions should be observed, including the following:

READ AND FOLLOW ALL SAFETY INSTRUCTIONS

DANGER – To avoid possible electric shock, special care should be taken since water is employed in the use of aquarium equipment. For each of the following situations, do not attempt to repair yourself; return the appliance to an authorized service facility for service or discard the appliance.

1. A. If the appliance shows any sign of abnormal water leakage, immediately unplug it from the power source.
- B. Carefully examine the appliance after installation. It should not be plugged in if there is water on the parts not intended to be wet.
- C. Do not operate any appliance if it has a damaged cord or plug, if it is malfunctioning or if it is dropped or damaged in any manner.
- D. To avoid the possibility of the appliance plug or receptacle getting wet, position aquarium stand and tank to one side of the wall mounted receptacle to prevent water from dripping onto the receptacle or plug. As shown in the figure below, a "drip loop" should be arranged by the user for each cord connecting an aquarium appliance to the receptacle. The "drip loop" is the part of the cord below the level of the receptacle, or the connector if an extension cord is used, to prevent water travel along the cord and coming in contact with the receptacle. If the plug or the receptacles do get wet, DON'T unplug the cord. Disconnect the fuse to the circuit breaker that supplies power to the appliance. Then unplug and examine for the presence of water in the receptacle.
2. Close supervision is necessary when any appliance is used by or near children.
3. To avoid injury, do not contact moving parts or hot parts such as heaters, reflectors, lamp bulbs, etc.
4. Always unplug an appliance from the outlet when not in use, before putting on or taking off parts, and before cleaning. Never yank the cord to pull plug from the outlet. Grasp the plug and pull to disconnect.
5. Do not use an appliance for other than intended use. The use of attachments not recommended or sold by the appliance manufacturer may cause an unsafe condition.
6. Do not install or store the appliance where it will be exposed to weather or temperatures below freezing.
7. Make sure an appliance mounted on a tank is securely installed before operating it.
8. Read and observe all the important notices on the appliance.
9. If an extension cord is necessary, a cord with a proper rating should be used. A cord rated for less amperes or watts than the appliance rating may overheat. Care should be taken to arrange the cord so that it will not be tripped over or pulled.



ONLY FOR POLARIZED ATTACHMENT PLUG APPLIANCES

10. If this appliance has a polarized plug (one blade is wider than the other) as a safety feature, this plug will fit in a polarized outlet only one way. If the plug does not fit fully in the outlet, reverse the plug. If it still does not fit, contact a qualified electrician. Never use with an extension cord unless plug can be fully inserted. Do not attempt to defeat this safety feature.

SAVE THESE INSTRUCTIONS

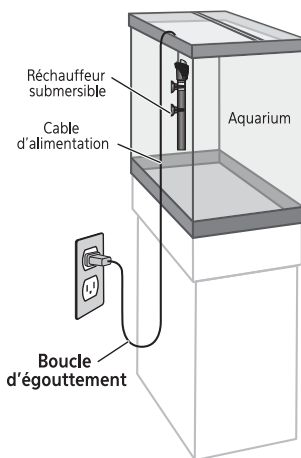
CONSIGNES DE SÉCURITÉ IMPORTANTES

AVERTISSEMENT – Pour protéger contre les blessures, respecter les consignes de sécurité de base, notamment ce qui suit :

LIRE ET RESPECTER TOUTES LES INSTRUCTIONS DE SÉCURITÉ.

DANGER – Pour écarter les risques de décharge électrique, faire preuve de précautions particulières en raison de la présence d'eau dans l'aquarium. Dans chacune des situations ci-dessous, ne pas tenter de réparer soi-même ; renvoyer l'appareil à un centre de réparation agréé ou le mettre au rebut.

1. A. Si l'appareil présente des signes de fuites d'eau anormales, le débrancher immédiatement de la source d'alimentation.
B. Examiner l'appareil avec soin après son installation. Ne pas le brancher s'il y a de l'eau sur des pièces non destinées à être mouillées.
C. Ne pas utiliser un appareil s'il a un cordon ou une fiche endommagés, s'il fonctionne mal, s'il est tombé ou s'il a été endommagé d'une quelconque façon.
D. Pour écarter le risque de mouiller la fiche de l'appareil ou la prise de courant, placer le socle et la cuve de l'aquarium sur le côté par rapport à la prise murale, afin d'éviter que l'eau ne goutte sur la prise ou la fiche. Prévoir une « boucle d'égouttement », illustrée ci-dessous, sur chaque cordon qui raccorde un appareil de l'aquarium à la prise de courant. La « boucle d'égouttement » est la portion de cordon en dessous du niveau de la prise, ou du connecteur si un cordon de rallonge est utilisé, pour empêcher l'eau de s'écouler le long du cordon et de venir au contact de la prise. Si la fiche ou la prise sont mouillées, NE PAS débrancher le cordon. Couper l'électricité au niveau du disjoncteur qui alimente l'appareil. Débrancher ensuite le cordon et voir s'il y a de l'eau dans la prise de courant.
2. Une supervision étroite est nécessaire lors de l'utilisation de tout appareil électrique par des enfants ou à leur proximité.
3. Pour éviter les blessures, ne pas toucher de pièces en mouvement ni de pièces chaudes telles que radiateurs, réflecteurs, ampoules, etc.
4. Toujours débrancher un appareil de la prise de courant lorsqu'il n'est pas utilisé, avant de poser ou d'enlever des pièces et avant de le nettoyer. Ne jamais tirer sur le cordon pour sortir la fiche de la prise. Saisir la fiche et tirer pour débrancher.
5. Ne pas utiliser un appareil à d'autres fins que celles prévues. L'emploi d'accessoires non recommandés ni vendus par le fabricant de l'appareil peut produire une situation dangereuse.
6. Ne pas installer ni entreposer l'appareil dans un endroit exposé aux intempéries ou à des températures inférieures au gel.
7. S'assurer qu'un appareil monté sur un aquarium est solidement installé avant de le mettre en marche.
8. Lire et respecter toutes les consignes importantes figurant sur l'appareil.
9. Si un cordon de rallonge est nécessaire, utiliser un cordon de capacité suffisante. Un cordon prévu pour des intensités (A) ou des puissances (W) inférieures à celles de l'appareil peut surchauffer. Veiller à disposer le cordon de manière à éviter tout risque de débâchage ou d'arrachement.



APPAREILS À FICHE POLARISÉE SEULEMENT

10. Si cet appareil comporte une fiche polarisée (une lame plus large que l'autre) par mesure de sécurité, cette fiche ne peut être branchée dans une prise polarisée que dans un sens. Si la fiche ne rentre pas complètement dans la prise, retourner la fiche. Si elle ne rentre toujours pas, contacter un électricien qualifié. Ne jamais utiliser avec un cordon de rallonge si la fiche ne s'enfonce pas complètement. Ne pas tenter de contourner ce dispositif de sécurité.

CONSERVER CES INSTRUCTIONS

Installation & Set-up Guide

CAUTION: Before working with or installing heater, be sure to read and understand all safety instructions and warnings.

Step 1:

Attach suction cups: Attach suction cups (C) to heater. Attaching both suction cups ensure proper positioning in your aquarium and will allow adequate water circulation around the heater for even heat distribution. Suction cups should be placed in the middle to upper portion of the heater as shown in FIG 1.

Step 2:

Set heater temperature: Turn the adjustment knob (A) until it corresponds to the desired aquarium temperature. As all aquariums vary, further adjustment may be required to maintain desired temperature (see Step 5).

Step 3:

Heater installation: Install heater in water-filled aquarium. The heater works best when installed in the aquarium in the vertical position. The installation of the heater in this position requires that the aquarium must maintain a water level ABOVE the minimum water level (B) on the heater, as shown in FIG 2. The heater can be installed in the aquarium in the horizontal position. The installation of the heater in this position requires that the heater be fully submerged in water at all times, as shown in FIG 2.

Safety Feature

This heater is equipped with advance gravity technology. If the heater top tilts lower than the heater bottom, the unit will automatically shut off.

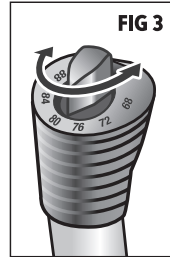
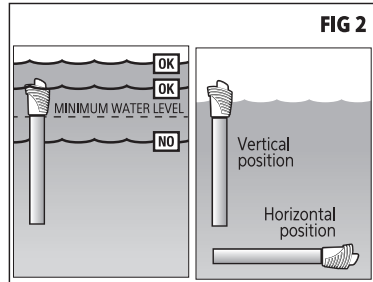
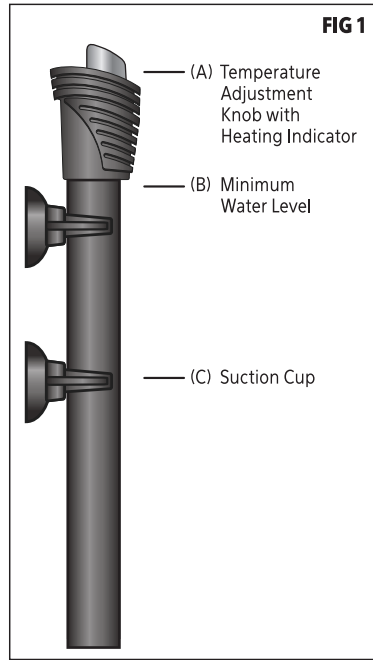
Step 4:

Plug into electrical outlet: Allow for heater to be submerged in water for a minimum of 30 minutes prior to powering the appliance. After the heater has been mounted and submerged for 30 minutes, plug the appliance into an electrical outlet. Once plugged in, the heater will automatically start working and the Temperature Adjustment Knob will glow red. (A). When the heater reaches set temperature, the Temperature Adjustment Knob will stop glowing red.

Step 5:

Adjust temperature: Allow the heater to run for 24 hours at the original setting prior to adjusting. Check the aquarium water with a reliable thermometer. Should the heater need to be adjusted from the original setting, slightly turn the adjustment knob + or - the number of degrees, as needed (FIG.3). Once adjusted, wait 24 hours and repeat if necessary.

Note: DO NOT over adjust the heater; this may cause harm to your aquarium inhabitants and environment. Make sure of the required temperature for your specific setup.



Aqueon® Heater Guidelines

Based on standard room temperature of 68°-72°.

Aquarium Size	To Increase Above Room Temperature:		
	5° F	10° F	15° F
5 Gallon	50 watt	50 watt	50 watt
10 Gallon	50 watt	50 watt	100 watt
20 Gallon	50 watt	100 watt	100 watt
30 Gallon	100 watt	100 watt	150 watt
55 Gallon	150 watt	150 watt	200 watt
75 Gallon	200 watt	200 watt	300 watt
100 Gallon	300 watt	300 watt	300 watt

Appliance Specification

Watts	Overall Length	Recommended Aquarium Size
50	9.0"	5-20
100	10.3"	15-40
150	13.0"	30-55
200	13.0"	50-75
300	15.0"	65-90

Shatterproof and nearly indestructible

- Metal core covered in thermal plastic to protect against damage and wear
- No glass components

Electronic thermostat for added safety and precision

- Accurate temperature settings within +/- 1° F
- Protected against abnormal use (dry conditions)

Fully submersible

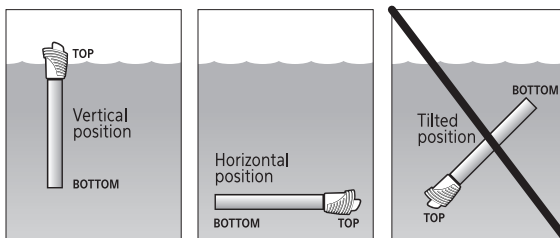
- Can be placed vertically or horizontally in aquarium
- Large temperature control knob is easily adjustable even when wet
- Suction cup clamps and 6 ft cord included

For freshwater or marine aquariums

Safety Feature

FIG 4

This heater is equipped with advance gravity technology. If the heater top tilts lower than the heater bottom, the unit will automatically shut off.



Safety Standards

- This appliance is intended for indoor household use only.
- ALWAYS disconnect all immersed electrical equipment from power source before placing hands in water.
- ALWAYS maintain adequate water levels as stated in "SET-UP."
- DO NOT use product if either the cord or the product appear damaged.
- DO NOT operate or leave product plugged-in when outside of water.

Troubleshooting Problems

If problems are encountered:

If the appliance has been installed for 24 hours or more, and the temperature of the water is still much lower than the required temperature (make sure however, as a number of thermometers on the market are not accurate!), proceed as follows:

- Make sure that the temperature has been set to the correct value.
- Make sure that the appliance is plugged in and is receiving power.
- **Make sure that the appliance is submerged at least to the minimum water level line. If installed in horizontal position, it must be fully submerged.**
- Make sure the water circulation around the appliance is adequate.
- Make sure that the volume of the aquarium falls within the range indicated on the label attached to the appliance.
- Make sure that the unit is not covered with lime scale. If necessary, remove scale after the appliance has been unplugged.

If the temperature is too high, after the appliance has been working for 24 hours or more, proceed as follows:

- Make sure that the temperature has been set to the correct value.
- Check whether too much water has evaporated, consequently reducing the volume to such an extent that it no longer falls within the range given on the label. If this is the case, add water immediately.

If the heater has turned off, it is possible the gravity shutoff has been activated. Check to see if heater top has tilted below the heater bottom. Simply reposition the heater. The temperature adjustment knob will begin to illuminate red; this is your indication that the heater is actively heating.

Limited Lifetime Warranty

WHAT THE WARRANTY COVERS:

Central Aquatics (Company) warrants this product (see Exclusions below) to the original purchaser against defective material and workmanship that occurs during normal in-home use for the life of the product. Company will, at Company's option, either repair or replace same without charge (but no cash refunds will be made). This warranty is limited to replacement or repair of product only and does not cover loss of aquarium life, personal injury, property loss, or damage arising from the use of the product.

EXCLUSIONS:

1. Damage resulting from accident, misuse, abuse, lack of reasonable care, subjecting the product to any but the specified electrical service, other than normal and ordinary use of the product, subjecting the product to abnormal working conditions or any other failure not resulting from defects in materials or workmanship.
2. Damage resulting from modification, tampering with or attempted repair by anyone other than the Company.
3. Transfer of product to someone other than the original consumer purchaser.
4. The warranty is not valid for components subject to wear.

FOR WARRANTY OR TECHNICAL SERVICE:

1. Contact the Company by mail or telephone: Central Aquatics, 5401 West Oakwood Park Drive, Franklin, WI 53132. Telephone: (888) 255-4527 to obtain a return authorization number.

NOTE: Be sure to provide contact information when requesting return authorization number.

2. Deliver, mail or ship the product, together with a copy of the original bill of sale, to:
Central Aquatics, 5401 West Oakwood Park Drive, Franklin, WI 53132

You must pay any postage, shipping charges, insurance costs and other expenses to return the product to Central Aquatics, Franklin, WI 53132. However, if the necessary repairs are covered by the warranty, Company will pay the return shipping charges to any destination within the United States or Canada.

LIMITATION OF IMPLIED WARRANTIES AND EXCLUSION OF CERTAIN DAMAGES: THE COMPANY DISCLAIMS LIABILITY FOR INCIDENTAL AND CONSEQUENTIAL DAMAGES FOR BREACH OF ANY EXPRESS OR IMPLIED WARRANTY, INCLUDING ANY IMPLIED WARRANTY OF MERCHANTABILITY, WITH RESPECT TO THIS PRODUCT. THIS WRITING CONSTITUTES THE ENTIRE AGREEMENT OF THE PARTIES WITH RESPECT TO THE SUBJECT MATTER HEREOF; NO WAIVER OR AMENDMENT SHALL BE VALID UNLESS IN WRITING SIGNED BY THE COMPANY. Some states do not allow the exclusion or limitation of consequential damages, so the above limitation or exclusion may not apply to you.